

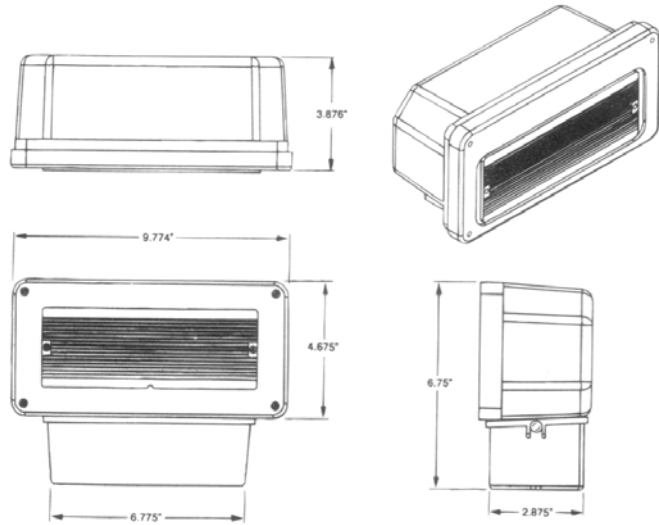
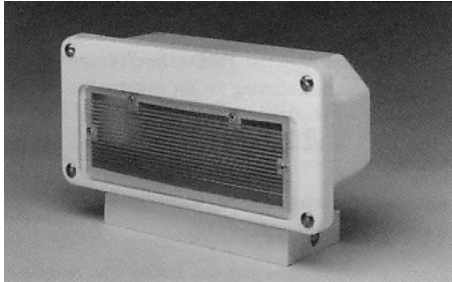
---

---

# Harborlight® Marina Dockside Light Fixture

---

---



---

## HARBORLIGHT® MARINA DOCKSIDE LIGHT FIXTURE

An attractive alternative to incandescent style light fixtures and flood lights. Harborlight is a specially designed accent and security light fixture for marinas, boatyards, and other wet locations. The fixture is also suitable for decks, pathways and other general outdoor lighting.

Harborlight is injection molded from VALOX® engineered thermoplastic resin. It is impact and corrosion resistant, and built to withstand the rigors of the marina salt air environment.

Harborlights may be mounted on dock surfaces, posts, or handrails. The directional lens is designed to maximize the light on the dock surface while maintaining glare in the boater's eyes.

### Features:

- U.L. listed
- Corrosion resistant VALOX® housing, all stainless exterior hardware
- PL7 or PL13 energy saving fluorescent lamps are included
- Separable non-metallic base for fast secure installation
- Prismatic lens made from tough, durable LEXAN®

Available in 7 Watt Fluorescent. Harborlight is suitable for 120V AC service. Light circuit should be provided by a circuit breaker or fuse (not included).

---

