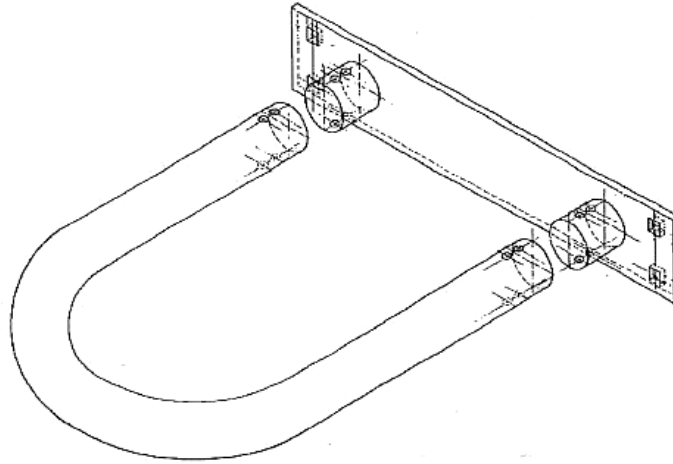

"Break Away" Pile Ring Retainer



BREAK AWAY PILE RING RETAINER

These pile retainer rings are manufactured from 1 ½" Schedule 40 pipe and structural steel plate, ¼" thick. The ring is secured to the mounting pegs with 5/16" bolts (two per peg). Plate mounting holes are for ½" carriage bolts. All are hot dipped galvanized after fabrication.

This "break away" type pile retainer ring was designed for applications where the pile ring has to be added after construction of the dock system, and where a tidal situation makes it impossible to physically place the ring over the pile. The strength and holding power of this ring is equally as good as our standard pile retainer ring.

ITEM NO.	RETAINER SIZE	FOR PILE SIZE	WEIGHT
06-28	14" inside diameter	12" diameter	19 lbs
06-29	16" inside diameter	14" diameter	21
06-30	18" inside diameter	16" diameter	23
06-31	20" inside diameter	18" diameter	25

