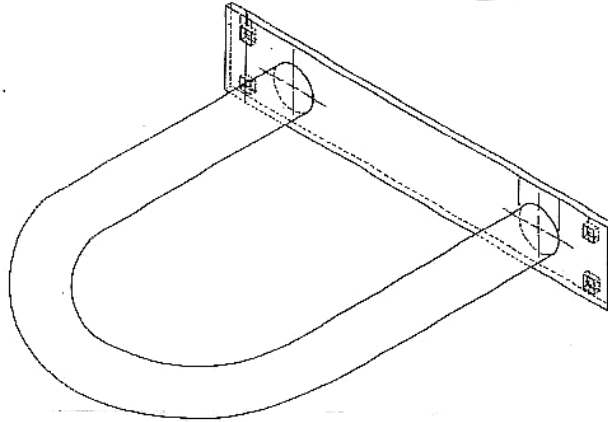

Standard Pile Ring Retainer



STANDARD PILE RING RETAINER

These pile retainer rings are manufactured from 1 ½ " Schedule 40 pipe and structural steel plate, ¼ " thick. Mounting holes are for ½ " carriage bolts. All are hot dipped galvanized after fabrication.

When bolted to the outside face of a dock, these pile retainer rings are the most common method of holding a dock to a piling.

| ITEM NO. | RETAINER SIZE | FOR PILE SIZE | WEIGHT |
|----------|---------------------|---------------|--------|
| 06-21 | 14" inside diameter | 12" diameter | 18 lbs |
| 06-22 | 16" inside diameter | 14" diameter | 20 |
| 06-23 | 18" inside diameter | 16" diameter | 22 |
| 06-24 | 20" inside diameter | 18" diameter | 24 |

