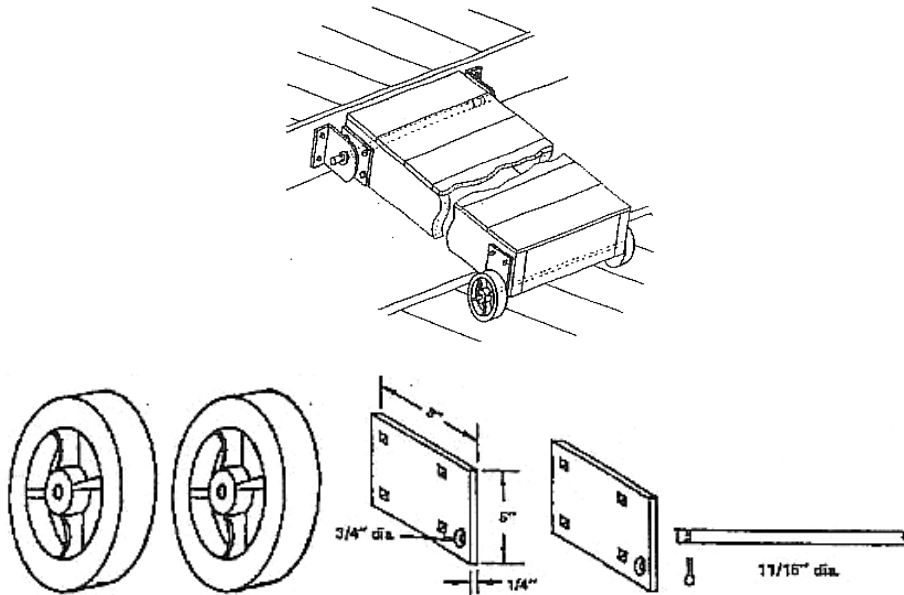


Gangway Wheel Assembly



GANGWAY WHEEL ASSEMBLY

Available for 3-foot and 4-foot wide gangway ramps in 6" or 8" diameter wheels. Available in full assemblies or individual parts.

Plate items are hot rolled mild steel, axle material cold rolled steel. All hot dipped galvanized after manufacture. Washers are hot dipped galvanized and cotter pins are stainless steel.

ITEM NO.	ITEM	PARTS		
		ITEM NO.	QUANTITY	ITEM
07-13Poly	Gangway Wheel Assembly for 3-foot wide ramp, 6 in. wheels Optional: Induthane Wheels, Item No. 07-25P	07-21	1	44" Pin
		07-18-N	2	Wheel Plates
		07-25	2	6" wheels
		07-24	2	Cotter
		08-264	2	Washer
07-14Poly	Gangway Wheel Assembly for 4-foot wide ramp, 6 in. wheels Optional: Induthane Wheels, Item No. 07-25P	07-23	1	55" Pin
		07-18-N	2	Wheel Plates
		07-25	2	6" wheels
		07-24	2	Cotter
		08-264	2	Washer
07-15Poly	Gangway Wheel Assembly for 3-foot wide ramp, 8 in. wheels Optional: Induthane Wheels, Item No. 07-29P	07-21	1	44" Pin
		07-18-N	2	Wheel Plates
		07-29	2	8" wheels
		07-24	2	Cotter
		08-264	2	Washer
07-16Poly	Gangway Hinge Assembly for 4-foot wide ramp, 8 in. wheels Optional: Induthane Wheels, Item No. 07-29P	07-23	1	55" Pin
		07-18-N	2	Wheel Plates
		07-29	2	8" wheels
		07-24	2	Cotter
		08-264	2	Washer

