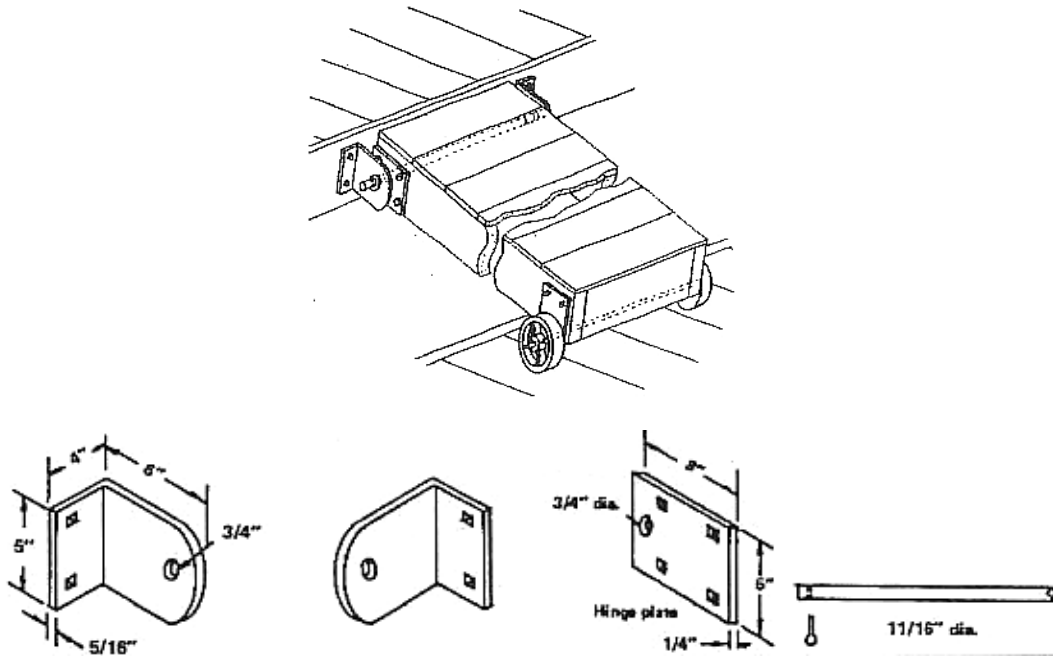


Gangway Hinge Assembly



GANGWAY HINGE ASSEMBLY

Available in 3-foot wide and 4-foot wide gangway ramps. Available in full assemblies or individual parts.

Plate items are hot rolled mild steel, axle material cold rolled steel. All hot dipped galvanized after manufacture. Washers are hot dipped galvanized and cotter pins are stainless steel.

ITEM NO.	ITEM	PARTS		
		ITEM NO.	QUANTITY	ITEM
07-11a	Gangway Hinge Assembly for 3-foot wide ramp	07-20	1	39" Pin
		07-19	2	Hinge Angle
		07-18-N	2	Hinge Plate
		07-24	2	Cotter
		08-264	2	Washer
07-12a	Gangway Hinge Assembly for 4-foot wide ramp	07-22	1	51" Pin
		07-19	2	Hinge Angle
		07-18-N	2	Hinge Plate
		07-24	2	Cotter
		08-264	2	Washer

