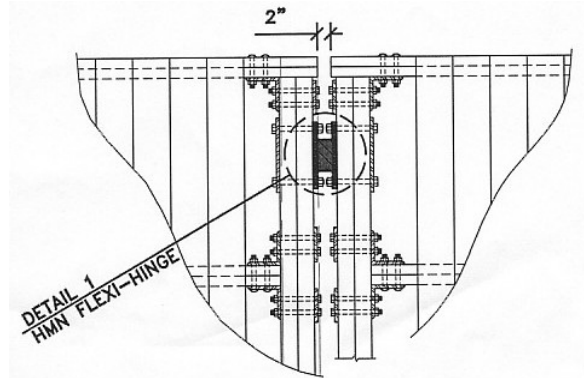
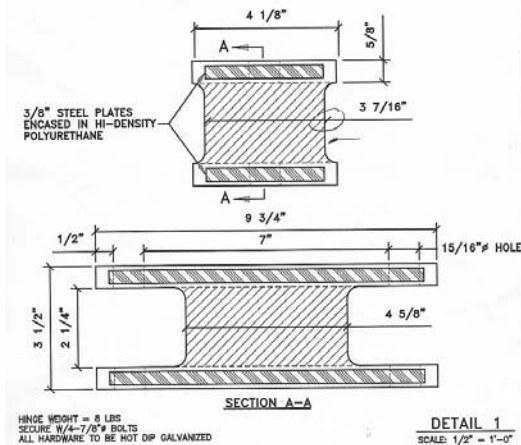

HMN FLEXI-HINGE



HMN FLEXI-HINGE

The HMN Flexi-Hinge offers a new dimension in floating dock construction. The HMN Flexi-Hinge makes it possible to have floating docks and structures in rougher waters and surge conditions. Traditional metal hinges break in rough waters and surge because the movement of the dock structure is limited in the vertical direction. The Flexi-Hinge allows dock structures to move in all directions. The result? The floating dock structure can flex with the movement of the waves and surge, the dock surface remains level, and the docks are quieter.

Features:

- Engineered to the highest quality standards
- Molded from virgin-grade, high-density polyurethane that steel plates in the flanges
- Concave profile reduces stress within the hinge itself
- Low-Maintenance
- Black color inhibits ultraviolet rays
- Easily installed during construction, expansion, or during upgrades on existing docking systems

