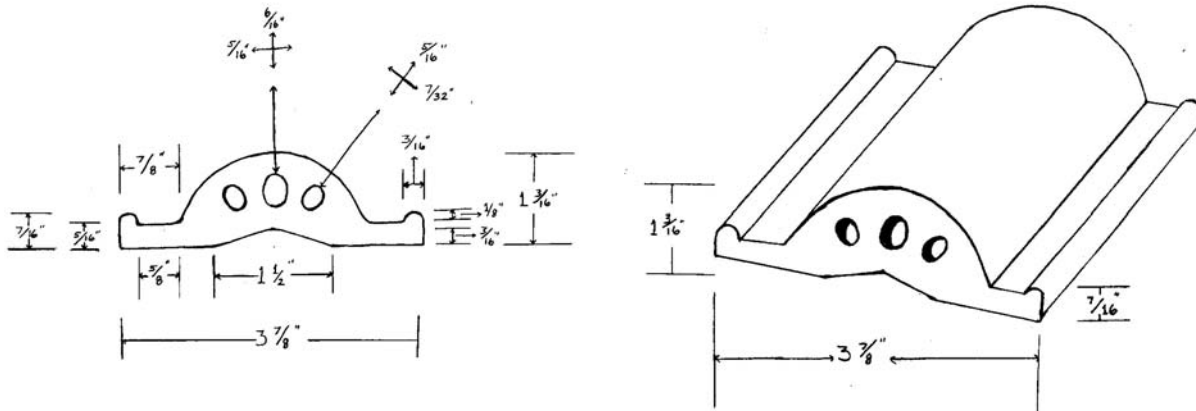

Flat Mount Bumper Strip



FLAT MOUNT BUMPER STRIP ITEM NO. 03-1012

Non stock item – Available on special production only, Minimum 1500 feet per production run or \$250 set-up charge for less than 1500 feet.

Material: Designed and extruded from marine grade vinyl resistant to yellowing and meets commercial standard CS230-60.

Weight: 1.52 pounds per foot

Dimensions: 1 3/16" high x 4" wide

Packaging: 10 pieces of 8 foot lengths per shipping carton, 80 feet total

Application: On wood structures, nail with large headed aluminum or stainless steel nails 4" on center on top and bottom flanges. On metal structures, use stainless steel or aluminum sheet metal screw and washers.



HENDERSON MARINE SUPPLY, INC.

800-523-1586 www.hendersonmarine.com

Specifications subject to change without notice. Not responsible for rust.

Liability limited to product replacement at the option of Henderson Marine Supply, Inc.
Not responsible for any inaccuracies in specifications.

Page 03-11
Last Updated: 2/25/2008 5:56:04 AM