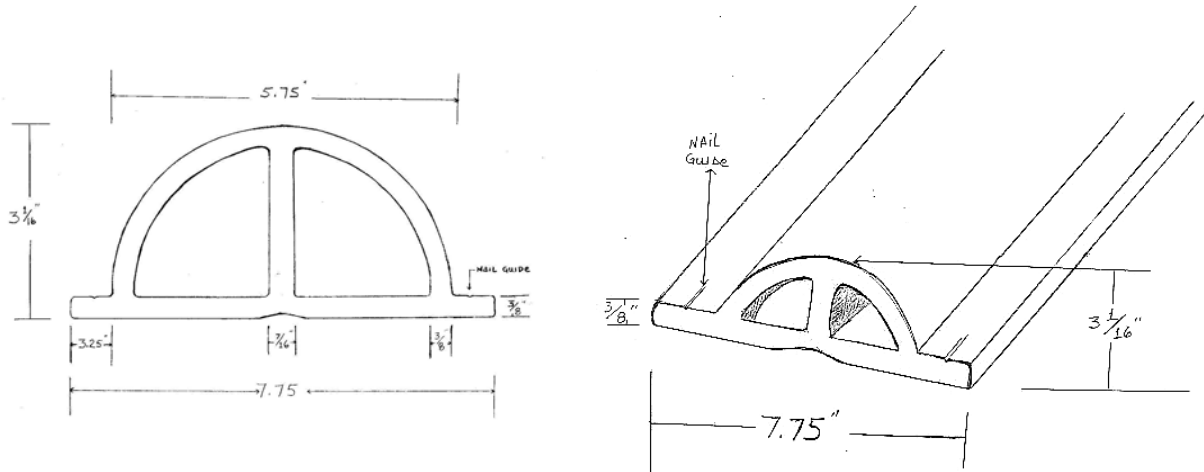

Extra Heavy Duty Utility Fender



EXTRA HEAVY DUTY UTILITY FENDER

Non stock item – Available on special production only, Minimum 1500 feet per production run or \$250 set-up charge for less than 1500 feet.

Material: Designed and extruded from marine grade vinyl resistant to yellowing and meets commercial standard CS230-60.

Weight: 5.30 pounds per foot

Dimensions: 3 3/8" high x 7 1/2" wide

Average Wall Thickness: 7/16" average wall thickness

Packaging: 2 pieces of 8 foot lengths per shipping carton, 16 feet total

Application: Proper application is the key to any fendering, but especially in this extra heavy service fender. Two satisfactory applications are:

1. On centers of no more than four inches, attach the fender to the wood member with #14 x 2" pan head stainless steel screws and flat washers.
2. In place of the flat washers, substitute a 1/8" x 1/2" wide continuous strip of stainless steel, punched on a maximum span of four inches on center. For best results, make sure the screws are as tight as possible.



HENDERSON MARINE SUPPLY, INC.

800-523-1586 www.hendersonmarine.com

Specifications subject to change without notice. Not responsible for rust.

Liability limited to product replacement at the option of Henderson Marine Supply, Inc. Not responsible for any inaccuracies in specifications.

Page 03-10
Last Updated: 7/1/2003 11:15:00 AM