

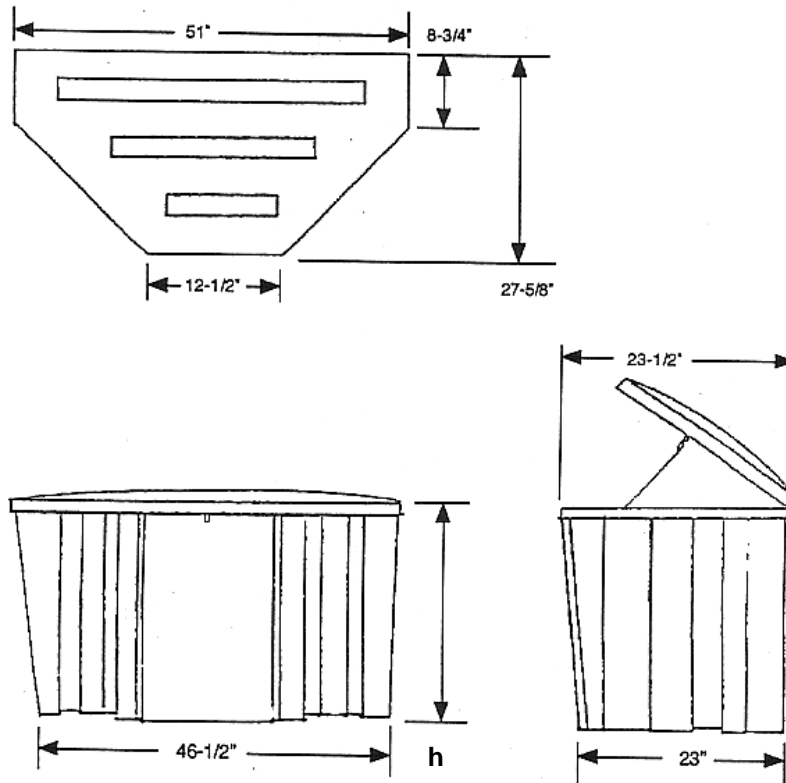
---

---

# Fiberglass Locker Boxes

---

---



---

## H-1 TRIANGULAR FIBERGLASS DOCK STORAGE BOX ITEM NO. 11-001

Manufactured from heavy-duty white fiberglass 1/8" typical wall thickness, with a layer of gel-cote protection for long lasting beauty. Sandwich core lid construction with two stainless steel restraints and lockable hasp.

Height is 30".

---

## H-2 TRIANGULAR FIBERGLASS DOCK STORAGE BOX ITEM NO. 11-005

Manufactured from heavy-duty white fiberglass 1/8" typical wall thickness, with a layer of gel-cote protection for long lasting beauty. Sandwich core lid construction with two stainless steel restraints and lockable hasp.

Height is 25".

---

