

---

---

# Seaworthy™ Dock Boxes

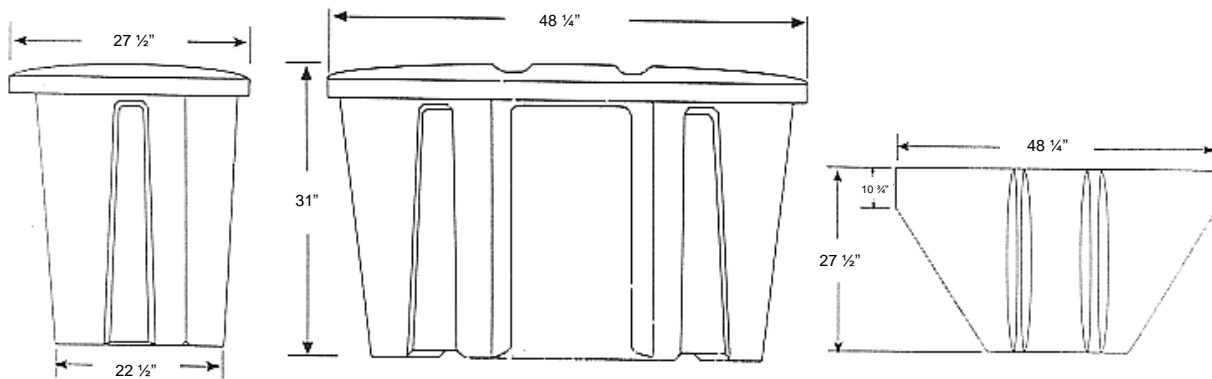
---

---

Seaworthy's Polyethylene Dock Box is designed for lockable, weather-tight, on the dock storage of boat equipment and other "odds and ends". It is attractive, easy to maintain, and strong enough to withstand abuse from harsh marine environments. Made of high-density, cross-linked polyethylene, this is an economical alternative to our high quality fiberglass dock boxes, has outstanding impact resistance and will not oxidize or fade. The top is secured by a robust hinge and has a lockable latch. These boxes nest to allow for more economical freight.

---

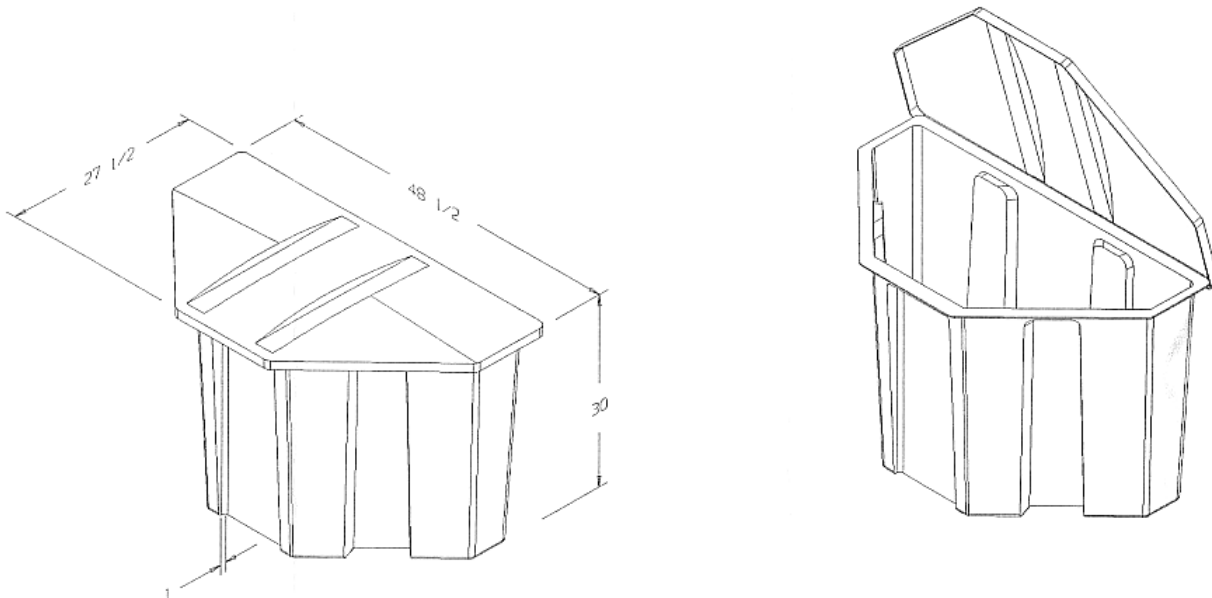
## SDB-150 ITEM NO. 11-001S



---

## SDB-200 SHALLOW FRONT ITEM NO. 11-001SDB200

The front has a shallow recess and is a matching locker box to our SDB-200D when power is not required



**HENDERSON MARINE SUPPLY, INC**  
800-523-1586 [www.hendersonmarine.com](http://www.hendersonmarine.com)

*Specifications subject to change without notice. Not responsible for rust.  
Liability limited to product replacement at the option of Henderson Marine Supply, INC.  
Not responsible for any inaccuracies in specifications.*

Page 11-4  
Last Updated: 6/26/2003 10:23:00 AM

---

---

# Seaworthy™ Dock Boxes

---

---

---

**SDB-200 DEEP FRONT**  
**ITEM NO. 11-001SDB200D**

The front is recessed to accommodate installation of power centers for an all-in-one utility station.

